

# ERMO

Savunma ve Silah San. İth. İhr. Tic. Ltd. Şti.



# TAC-4

**SAFETY & INSTRUCTION MANUAL**



READ ALL THE INSTRUCTIONS AND WARNINGS IN THIS  
MANUAL CAREFULLY BEFORE USING THIS FIREARM



**PURCHASER'S  
RECORD**

Model : .....

Purchase Date : .....

Gauge/Caliber : .....

Serial : .....

Purchase Price : .....

Store Name : .....

## **TABLE OF CONTENTS**

Warning	03
Safety Rules	04-08
General Information And Mechanical Characteristics	09
Mechanical Safety	10-11
Disassembly	11
Assembly	12
Loading Your Shotgun Chamber	12
Loading The Magazine Maintenance And Cleaning Exploded View	13 14-17
Warranty Conditions	18-20



**WARNING - DO NOT DRY FIRE**

## **WARNING**

The manufacturer is not responsible for damage to objects caused by misuse of the firearm or for injuries to persons or animals, or in case of death, caused voluntarily or involuntarily by the firearm user. The manufacturer is not responsible for injuries caused by poor maintenance, misuse of the firearm, unauthorized or improper modifications.

The manufacturer declines responsibility for the indirect consequences of any injuries and/or death of persons or animals, damage to objects caused by use of the firearm or by primer explosion, by bullet's ricochet, or unsafe loading practices and/or procedure.

Read the entire manual and learn the proper use of the firearm without live ammunition. It is important that you understand the proper use of this product. The life of the people close to you may depend on your safe behavior.

If the manual is not clear, please contact the dealer where you bought the firearm or call the distributor or the manufacturer by using the contact information provided within this manual.

**The manufacturer declines any responsibility for misuse of the firearm. In case of alteration of the firearm, the manufacturer declines any civil and penal responsibility and will not refund any damage.**

Quality Inspection: Every firearm is thoroughly inspected by the manufacturer, for function and cosmetic blemish, prior to shipment.

Firearms produced in our U.S. facility or Turkey are scrupulously tested at the manufacturing premises.

**▲ WARNING:** Discharging firearms in poorly ventilated areas, cleaning firearms, or handling ammunition may result in exposure to lead or other substances known to cause birth defects, reproductive harm, and other serious physical injury. Have adequate ventilation at all times. Wash hands thoroughly after exposure.

## **SAFETY RULES**

- 1.** Read the instructions carefully before use. Reading the manual and careful examination of the firearm are fundamental to avoid any kind of problem.
- 2.** Be aware that you are handling a firearm; therefore your knowledge and behavior may affect your life and those of the people close to you.
- 3.** Firearms and ammunitions must be kept in separate places.
- 4.** Always keep firearm and ammunitions out of reach of children.
- 5.** Store the firearm in a clean, dry and airy place after use to avoid rust in mechanical parts that may cause serious problems in functioning after a period of inactivity.
- 6.** The firearm must always be stored unloaded, always check that the chamber is empty.
- 7.** Keep away from open flames or heating sources.
- 8.** Never leave a loaded firearm unattended.
- 9.** Never leave the firearm loaded, it could fall and cause injury and death. Always point the firearm in a safe direction, and handle it as though it were loaded. This is especially important when loading and unloading the firearm and when handing it to someone else. Never take someone's word that it is unloaded. Always make sure the firearm is unloaded before laying it down or handing it to someone else.

**10.** After use, clean and lubricate the inside of the barrel with appropriate oil. Grease or oil build up can cause excessive pressure and result in serious personal injuries. Before using the firearm again, inspect the barrel and chamber to make certain that there are no obstructions in the bore. Remove any oil residue with rod and dry patch before shooting.

**11.** Accumulation of rust in the barrel can cause excessive pressures resulting in serious injury and may cause the explosion of the barrel. A rusted, pitted or eroded barrel should be replaced.

**12.** Before shooting always check to ensure that the barrel is free of obstructions.

**13.** Never force a jammed action, this act could cause explosion of the round and consequent injury.

**14.** Use factory loaded ammunition of the caliber specified on the firearm barrel. Use of different calibers may cause serious personal injuries to you and to people close to you.

**15.** In case of misfire, manually extract the cartridge from the chamber. If firearm fails to fire when trigger is pulled, as a result of slow primer ignition (hang fire), keep muzzle pointed downrange for a minimum of 30 seconds. If the round does not fire, remove the magazine, clear the firearm and examine the ejected, unfired cartridge. If the indent from the firing pin is off center, light or absent, take the gun to a competent gunsmith. If the indent appears normal compared to other rounds, assume a faulty round, separate from other cartridges, reload and continue shooting.

**16.** Do not attempt to re-use unexploded ammunitions.

**17.** Never modify any parts of your firearm. Any alteration may cause serious personal injury and voids the warranty.

- 18.** Only a qualified gunsmith may service the firearm for repair or serious maintenance.
- 19.** Pay great attention during transportation and use. Mechanical safety devices can fail. Developing intelligent, good safety habits is the best way to prevent accidents.
- 20.** Never rest your finger on the trigger until the very moment you wish to shoot. Always keep the safety on until you are ready to safely shoot at an intended target. Note: Safety devices on firearms are extras and are not a substitute for your proper and safe handling practices.
- 21.** Always keep the firearm unloaded when transporting it from home to the shooting areas. Carefully check that cartridge chamber is empty.
- 22.** When you walk around with the firearm in a shooting area, always keep the muzzle pointed in a safe direction.
- 23.** Never run with a loaded firearm, do not cross any obstacle (fences or water courses, etc.) or walk where there is any possibility of slipping or falling without having your firearm unloaded and in safety position.
- 24.** When selecting a place to shoot, always be absolutely sure of your target and the area behind it before you touch the trigger, making sure there is an adequate backstop which will stop and contain bullets. A bullet can travel through or past your target with a range up to 1.5 miles. If you have any doubt, do not shoot.
- 25.** Never shoot against a solid surface or in a pool of water, the projectiles could ricochet and shoot toward any direction. Do not shoot up into the sky.

- 26.** Keep all bystanders behind you, standing beside a shooter is not a safe position. Make sure all other shooters and bystanders are well away from the ejection port.
- 27.** Do not smoke while handling, loading or shooting any ammunition, especially black powder. Keep black powder in a closed container at all times, re-closing the container after each and every use.
- 28.** Never drink alcoholic beverages or take any drugs before or during shooting, as this not only constitutes criminal disregard for your safety and that of others, but will seriously impair your judgment and vision. Never use a firearm while you are taking medication unless you have checked with your doctor to ensure you are fit to handle the firearm safely.
- 29.** Always wear and encourage others near you to wear proper ear protection when shooting, especially on a range since the noise from your firearm and other firearms close to you, could result in permanent hearing loss.
- 30.** Always wear protective shooting glasses to protect your eyes from injury by gun powder, gas, lubricant, dirt or metallic particles, carbon residue, sparks or other debris.
- 31.** Wash hands thoroughly after shooting and handling firearms to remove any unwanted residues.
- 32.** Never leave the loaded firearm or the loaded magazine in the sun.
- 33.** By replica firearms there is no modern safety. In this case you must pay even more attention to safety rules.



**REMEMBER:**

No mechanical safety device is infallible. The user is responsible for injuries or damages caused to him or to other persons. Complete knowledge of your firearm can make the difference.

**IDENTIFYING MARKINGS**

Every firearm we produce has a serial number that is marked on the receiver/frame. Close to the serial number you will also find the manufacturer's information with the model name and caliber marked either on the frame or the barrel as required by law.

These markings must not be removed from the firearm for any reason.

## GENERAL INFORMATION AND MECHANICAL CHARACTERISTICS

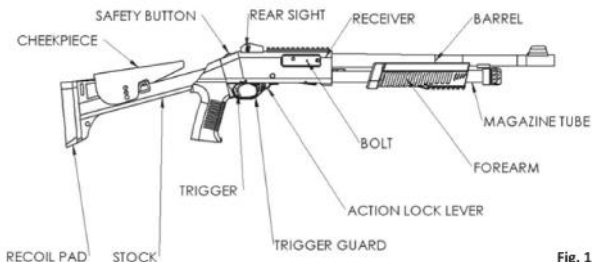


Fig. 1

Pump Action firearms require manual operation. Once a shell has been fired, the locking lug in the bolt moves down, unlocking the gun. The forearm can then be moved to the rear and forward again which cocks the hammer & ejects and loads a new shell.

To open the bolt without firing the gun, depress the action lock lever, located just beside and forward of the trigger. This allows for opening the action without dry firing.

The magazine tube will only accept 5 rounds of 2  $\frac{3}{4}$ " shells or 4 rounds of 3" shells. Please check if your shotgun model includes mobile choke

## MECHANICAL SAFETY

The safety button is located on the top rear portion of the receiver (Fig. 2) and must be manually moved to the desired position by the shooter.

**WARNING:** Remember, a firearm's manual safety is a mechanical device which can never replace safe firearm handling practices.

**WARNING:** Because any mechanical device can fail, never rely on any mechanism or safety device to prevent the dangers of careless handling or pointing a firearm in an unsafe direction.

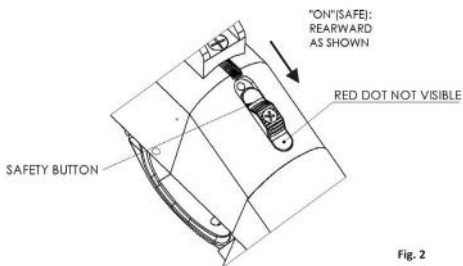


Fig. 2

The safety is set in the "ON" (SAFE) position by moving the safety button fully rearward into the safety detent. The button will now cover the red dot (Fig. 2).

The red dot is a training aid used only to show the direction of the "ON" (SAFE) position and should not be used as an indicator that the safety is "ON" or "OFF."

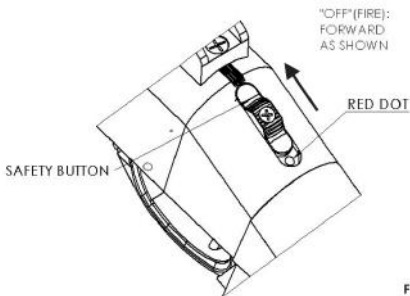


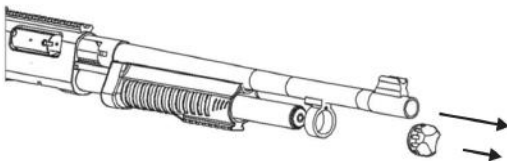
Fig. 3

The safety is set in the "OFF" (FIRE) position by moving the safety button to the forward position. The red dot will now be visible (Fig. 3).

**DANGER:** The firearm will fire when the trigger is pulled intentionally or accidentally when the RED DOT IS SHOWING.

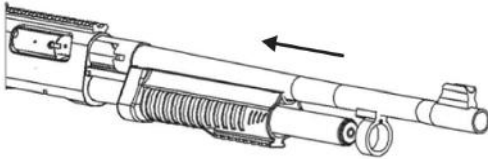
## DISASSEMBLY

1. Make sure the firearm is unloaded!
2. Point firearm in a safe direction
3. Push up on the safety lever.
4. Pull the forearm approximately half way
5. Unscrew and remove the magazine cap.
6. Pull the barrel carefully out of the receiver.
7. Slide the forearm forward and out of the magazine tube.



## ASSEMBLY

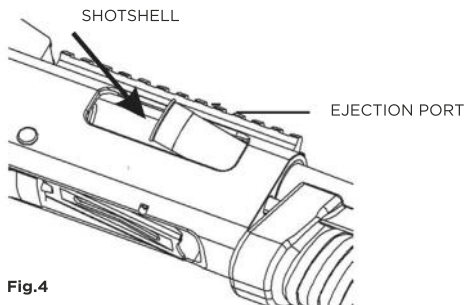
1. Place the forearm assembly with bolt assembly over the magazine tube.
2. Push up on the safety lever
3. Pull the forearm approximately half way
4. Hold the barrel ahead of the barrel guide ring.
5. Align the barrel extension on the receiver. DO NOT FORCE IT!
6. Slide the barrel guide ring over the magazine tube.
7. Carefully set the barrel into the receiver. DO NOT FORCE IT!
8. Screw the magazine cap.



## LOADING YOUR SHOTGUN CHAMBER - ONE SHELL ONLY -

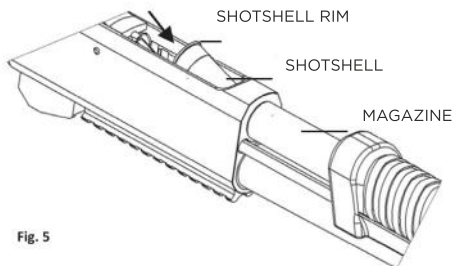
1. Put safety in the "on" position.
2. Point the gun in a safe direction.
3. Push up on the safety lever.
4. Pull the forearm completely to the rear and carefully hold it for the return spring models
5. Insert one shell through the ejection port, making sure it is the correct gauge and length. (Fig. 4)
6. Push the forearm forward and close the action.

Be sure to leave the safety button fully rearward in the "ON" (SAFE) position until you are ready to shoot.


**Fig.4**

## LOADING THE MAGAZINE

Load the magazine tube by turning the shotgun so that the trigger guard is facing up and the action is closed. Push the front end of the shotshell into the magazine tube until the rim of the shotshell snaps past the cartridge stop (Fig.5). Never attempt to exceed the magazine capacity.


**Fig. 5**

With the firearm pointed in a safe direction and held in the proper firing position, move the safety button fully forward to the "OFF" (FIRE) position. Pulling the trigger through its full travel to the rear will cause the firearm to fire. Ensure muzzle is pointed in a safe direction before placing finger on trigger.

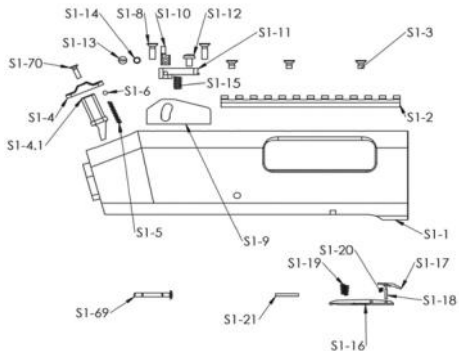
## MAINTENANCE AND CLEANING

**WARNING:** Be sure, your shotgun is not loaded and the safety is turned on (SHOTGUN WILL NOT FIRE) before routine maintenance.

**WARNING:** Before routine maintenance you should completely disassemble your shotgun. Please refer to "Disassembly" section.

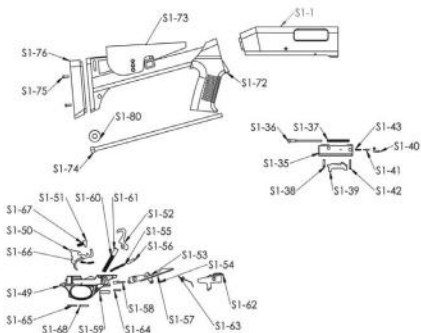
**WARNING:** Avoid using excessive oil while lubricating. General Maintenance and Lubrication Parts to be cleaned during general maintenance: bolt, trigger group, magazine tube and the receiver.

1. Clean the dirt, rust and sediments on the parts specified for general maintenance with the help of a cotton cloth lubricated with maintenance oil when needed, with a bronze wire brush.
2. Use a dry and clean cotton cloth to remove oil residues after cleaning.
3. After cleaning, lubricate the parts to leave a thin layer of oil.
4. Please make sure that the tools you use for cleaning such as the cloth and brush are products that will not damage the parts.



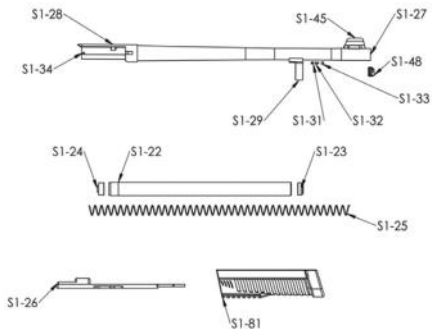
PART CODE	PART NAME
S1-1	Receiver
S1-2	Picatinny Rail
S1-3	Picatinny Rail Screw
S1-4	Safety Button
S1-4.1	Lower Safety Button
S1-5	Safety Button Spring
S1-6	Safety Button Ball
S1-8	Rear Sight Body Screw
S1-9	Rear Sight Body
S1-10	Adjustable Rear Sight
S1-11	Rear Sight Ring
S1-12	Adjustable Rear Sight Screw
S1-13	Rear Sight Ring Screw
S1-14	Rear Sight Ring Spring
S1-15	Adjustable Rear Sight Spring
S1-16	Latch
S1-17	Cartridge Stop
S1-18	Pin Of Lock
S1-19	Latch Spring
S1-20	Spring Of Lock
S1-21	Latch Pin
S1-69	Trigger Guard Retaining Pin
S1-70	Safety Button Screw





PART CODE	PART NAME
S1-49	Trigger Guard
S1-51	Disconnecter
S1-52	Hammer
S1-53	Breech Bolt Latch
S1-54	Breech Bolt Latch Pin
S1-55	Breech Bolt Latch Spring
S1-56	Breech Bolt Latch Spring Follower
S1-57	Cartridge Carrier
S1-58	Hammer Stopper Pin
S1-59	Trigger Guard Pin Bushing
S1-60	Hammer Spring
S1-61	Hammer Plunger
S1-62	Action Lock Lever
S1-63	Safety Lever Spring
S1-64	Lock Pin Of Hammer Stopper Pin
S1-65	Trigger Stopper Pin
S1-66	Triger Spring
S1-67	Disconnecter Spring
S1-68	Triger Pin
S1-50	Trigger

PART CODE	PART NAME
S1-35	Bolt
S1-36	Firing Pin
S1-37	Firing Pin Spring
S1-38	Firing Pin Retaining Pin
S1-39	Locking Bolt
S1-40	Extractor
S1-41	Extractor Plunger
S1-42	Extractor Pin
S1-43	Extractor Spring
S1-72	Stock
S1-73	Cheekpiece
S1-76	Recoil Pad
S1-74	Stock Bolt
S1-80	Stock Bolt Washer
S1-75	Recoil Pad Screw




PART CODE	PART NAME
S1-27	Barrel
S1-28	Barrel Extension
S1-29	Barrel Collar
S1-31	Dentent Ball Spring
S1-32	Dentent Ball
S1-33	Dentent Ball Screw
S1-34	Ejector Pin
S1-48	Magazine Cap
S1-22	Magazine Tube
S1-23	Magazine Plung Rear
S1-24	Magazine Plung Front
S1-25	Magazine Spring
S1-45	Sight Bead
S1-26	Forearm
S1-81	Forearm

## WARRANTY CONDITIONS

This warranty policy only applies to ERMOX products.

The manufacturer guarantees that our products are scrupulously checked against defects in materials, workmanship, aesthetics and functioning problems. In case you find a defect in one of our products, you should immediately contact ERMOX Savunma ve Silah Sanayi Kavaklı Mh. H. Fehmi Boztepe Cd. No:164/A Manavgat / ANTALYA - Tel: 0242 746 19 89. All warranty work will be performed by ERMOX Savunma ve Silah Sanayi.

 **ATTENTION:** All customers returning product for warranty service must first obtain an RMA (Return Merchandise Authorization) from ERMOX Savunma ve Silah Sanayi. The request for an RMA (Return Merchandise Authorization) may be obtained through our web site, email or phone.

Information required is name and address, model, serial number, and defect. It is the customer's responsibility for adequately packaging the product to prevent shipping damage. Any damages occurred during transportation and handling will be the customer's responsibility.


ERMOX Savunma ve Silah Sanayi 2-year warranty guarantees for two years after the original purchase date of the original owner, free parts and labor for defects which have been found during use; wear of parts which shouldn't be subject to wear, or excessive wear of parts subject to wear except for wood. Wood is covered for 1 year. The customer must provide evidence they are the original owner and proof of the purchase date with a receipt or other valid proof.

In the event of a defect which is covered by this guarantee is not repairable, the manufacturer will provide for a free substitution of the product.

THE MANUFACTURER RESERVES THE RIGHT OF DEFINING THE TYPE OF DEFECT OF THE FIREARM AND THEREFORE TO STATE WHETHER THE DEFECT IS COVERED BY GUARANTEE.

The manufacturer's decision will be fair but final. Should the manufacturer become aware of a defect of a product during the guarantee period, the defective part will be replaced free of charge.

The guarantee does not cover parts subject to wear and corrosion. For assistance in obtaining an RMA (Return Merchandise Authorization), please contact ERMOX Savunma ve Silah Sanayi

 **ATTENTION:** DELIVERY EXPENSES TO AND FROM THE SERVICE CENTER ARE NOT COVERED BY THE GUARANTEE AND WILL BE CHARGED TO THE CUSTOMER.

## **WARRANTY CONDITIONS**

The Guarantee Is Void In Case:

- Inadequate ammunition has been used (any ammunition but those commonly on sale, reloaded ammunition, different from caliber and specification indicated on the firearm barrel)
- The product failed to be provided proper maintenance and cleaning
- The product has been modified without our prior consent
- Unauthorized, inadequate or incorrect repairs have been carried out
- Non-original spare parts were used
- Parts subject to wear and corrosion
- Damage (improper use of the gun by the user)
- Expired guarantee

In the above cases the repair, if completed, will be charged to the customer.

In case, for any valid reason, you do not have the possibility to obtain repair under guarantee at the shop where you bought the product, you may contact us directly for warranty service or questions:

ERMOX Savunma ve Silah Sanayi

Adress: Kavaklı Mh. H. Fehmi Boztepe Cd.  
No:164/A Manavgat / ANTALYA

Phone: 0242 746 19 89

e-mail: [service@ermox.com.tr](mailto:service@ermox.com.tr)

Mo. - Fr. 8am-4pm

THIS MANUAL MUST ALWAYS FOLLOW THE FIREARM,  
ALSO IN THE EVENT OF NEW OWNERSHIP.

# ERMO

Savunma ve Silah San. İth. İhr. Tic. Ltd. Şti.



[ermox.com.tr](http://ermox.com.tr)

[info@ermox.com.tr](mailto:info@ermox.com.tr)

+90 332 516 15 00

+90 544 649 28 47

Huğlu Mah. 43206. Sk. No:5

Beyşehir / Konya - Turkey